

# CONFERENCE SET

www.digitel.rs

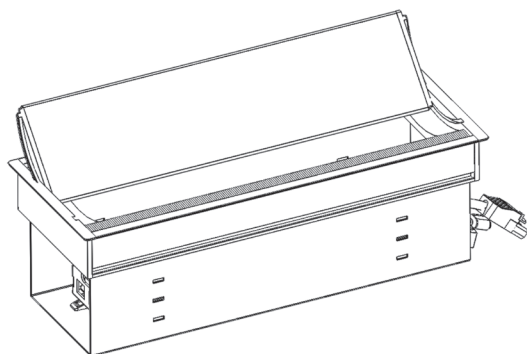
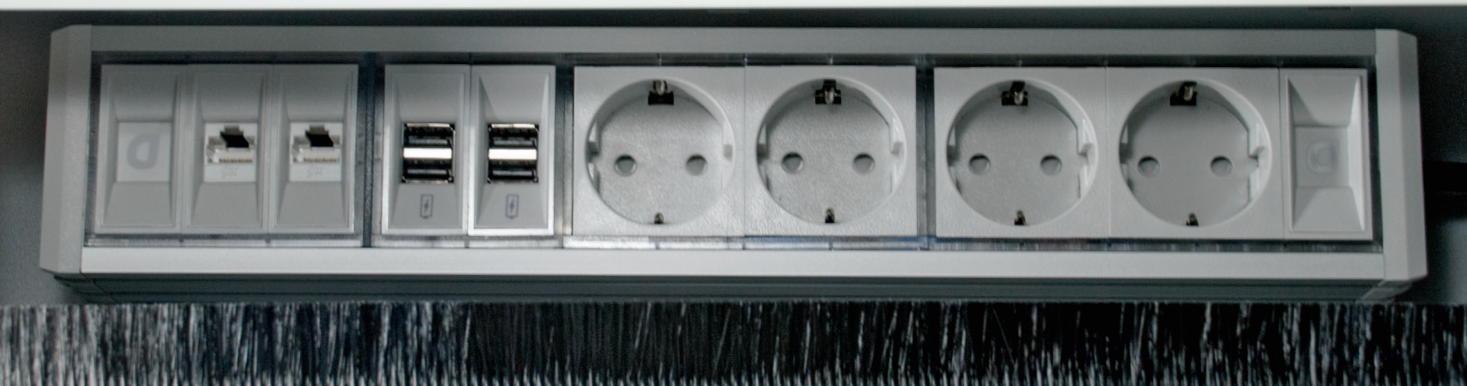
swing and plug



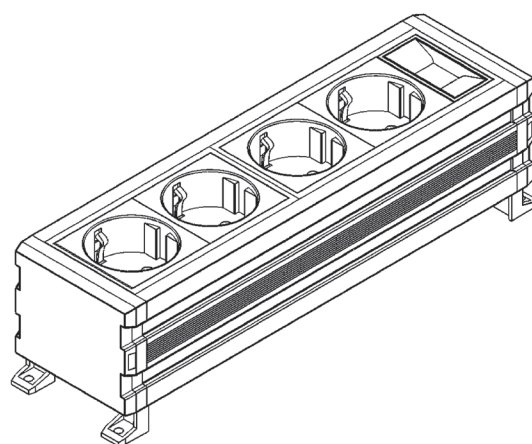
Digital CONFERENCE SET allows access to sockets from both sides of the desk, whilst at the same time permitting the lid to be lowered to desk level when devices are connected to it.



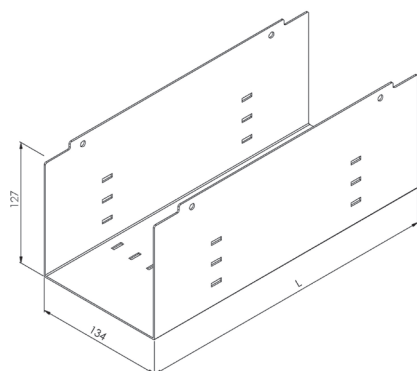
UPD CONFERENCE SET (MAX)-EN-1M-4P-4RJ45-1M



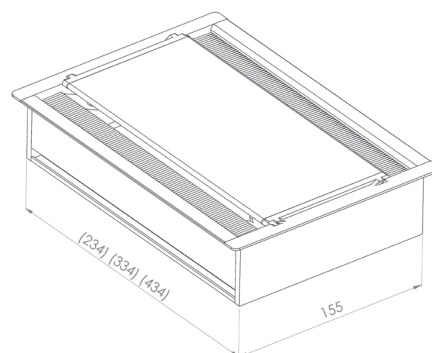
„Tub” with rosette



Universal power data – UPD



„Tub” dimension



Rosette dimension

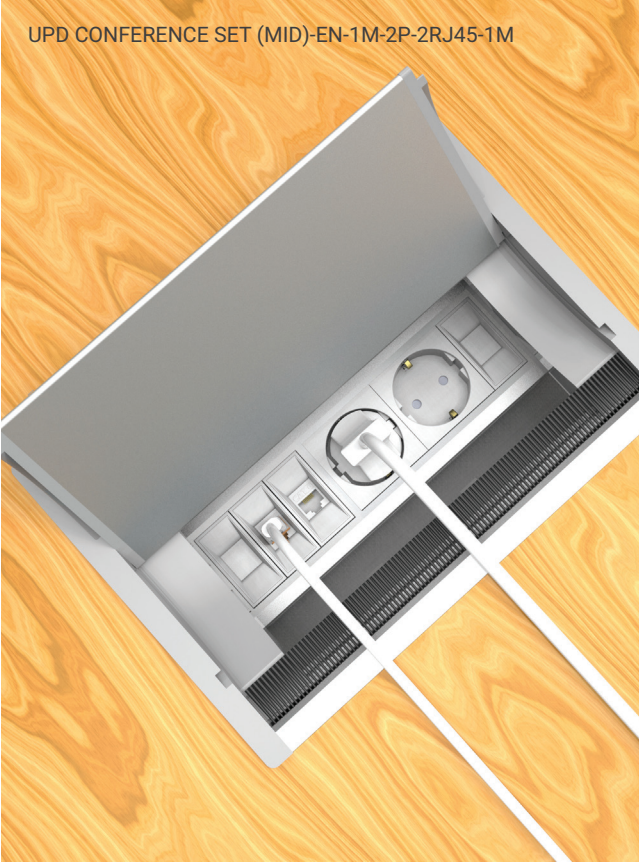
**FIXATION:**

With a screw-thickness of the table at least 38mm

AVAILABLE IN THREE LENGTHS:	Nº OF MODULES
L=220mm (Conference min)	to 7 modules
L=320mm (Conference mid)	to 11 modules
L=420mm (Conference max)	to 14 modules
	(1 module is length 26,6mm)

THE DIMENSIONS OF THE HOLES IN THE TABLE:
156x235mm (Conference min)
156x335mm (Conference mid)
156x435mm (Conference max)

UPD CONFERENCE SET (MID)-EN-1M-2P-2RJ45-1M



UPD CONFERENCE SET (MID)-EN-1M-2P-2RJ45-1M



Its low profile, an innovative lid, brushes that prevent dust infiltration and the high modularity of sockets housed in a box make this product ideal for meeting and conference rooms.





Since 1996.

PRODUCT	SIZE	COLOR
UPD CONFERENCE SET	Max	EN
	Mid	EN
	Min	EN

