

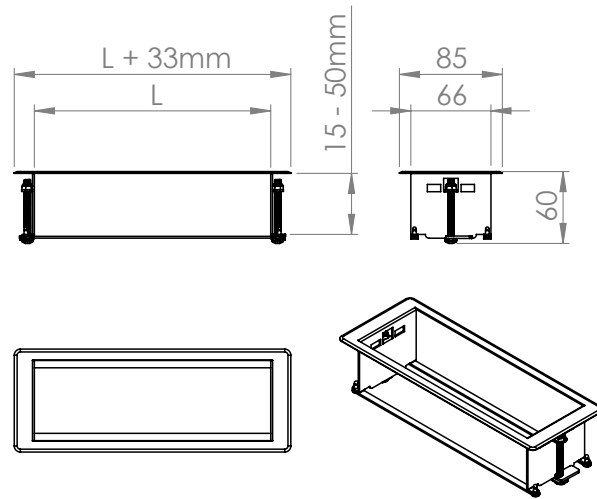
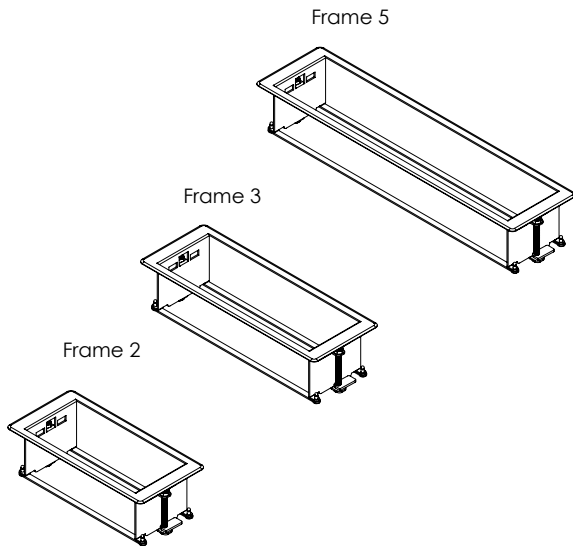
FRAME

just plug

DIGItel
Within easy reach



Frame UPD set has a simplified design which contributes to its high aesthetic criteria and in a workspace. It is easily installed in desks, cabinets and other types of furniture (possibility of installation in panel walls). The profile of the device is less than 1.5 mm, with a depth of 57 mm inside the working surfaces. Frame UPD set contains from Frame and UPD Base. Frame is used to a house for the UPD Base.



POWER CHARACTERISTICS:

Voltage: 250V
Amperage: 16A
Power connector: Cable HO5VV - F, 3x1,5mm²
 EPN 1104/EPN 1114 (Wieland m/f) -250mm
Frequency: 50-60Hz
Temperature: 0 – 40°C
Relative Humidity: 0 – 95°C (no condensing)
Protection: IP 44

MOUNTING

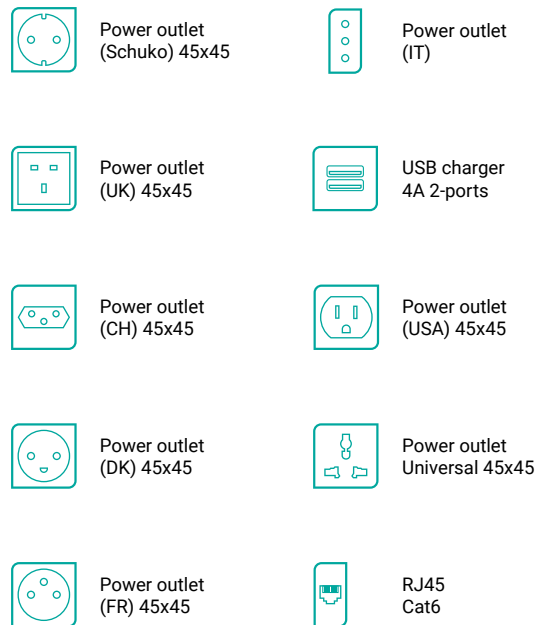
Flash mounting with clamps using Allen key. Can accommodate a desk thickness of between 10 mm and 50 mm.

DIMENSION:

L = 141 - 301

COLOR

Black
 White
 Inox



| | L | Gross weight (g) | Installation opening dimensions (mm) |
|----------------|-----|------------------|--------------------------------------|
| FRAME 1 | 141 | 300 | 168 x 68 |
| FRAME 2 | 195 | 320 | 221 x 68 |
| FRAME 2 | 301 | 350 | 328 x 68 |